


TECHNICAL DATA SHEET

| | | |
|---------|--|---|
| PRODUCT | PU-AZ-1-187H-N*-L**/options |  |
| SERIES | AZ-1 Single Acting Air operated, hydraulic pumps for pressure testing, chemical injection and hydraulic power. | |

FEATURES

- Infinitely variable output pressure and flow
- Will hold static pressure without generating heat or consuming power
- Standard models are suitable for oil or water applications
- Well proven and trouble-free operation

PERFORMANCE DATA

| | |
|---------------------------|--|
| Max Rated Output Pressure | 18,750psi (1,293bar) |
| Output Per Cycle | 0.138 in ³ (2.3cc) |
| Max Flow | 70 in ³ /min (1.15 litre/min) |
| Max Air Supply Pressure | 100psi (7bar) |
| Ratio | 187 : 1 |
| Air Consumption | 28 scfm (800 NI/min) |

SEAL OPTIONS (N*)

| | |
|---------------|--|
| N* (standard) | Nitrile (Buna-N) Main Seal and Check Valve Seals |
| V | Viton (FKM) Main Seal and Check Valve Seals |
| C | Chemraz (FFKM) Main Seal and Check Valve Seals |

CONSTRUCTION

| | |
|-----------|---|
| Air Motor | Anodised Aluminium / Wound Composite / Nitrile (Buna-N) Seals |
|-----------|---|

| | |
|--------------------|---|
| Hydraulic Cylinder | Stainless Steel |
| Piston | Stainless Steel + Chrome Finish |
| Check Valves | Stainless Steel (Seals as per Selected Seal Option) |
| L1** (standard) | Plated Steel Air Motor Studs |
| L2** (optional) | Stainless Steel Air Motor Studs |

CONNECTIONS

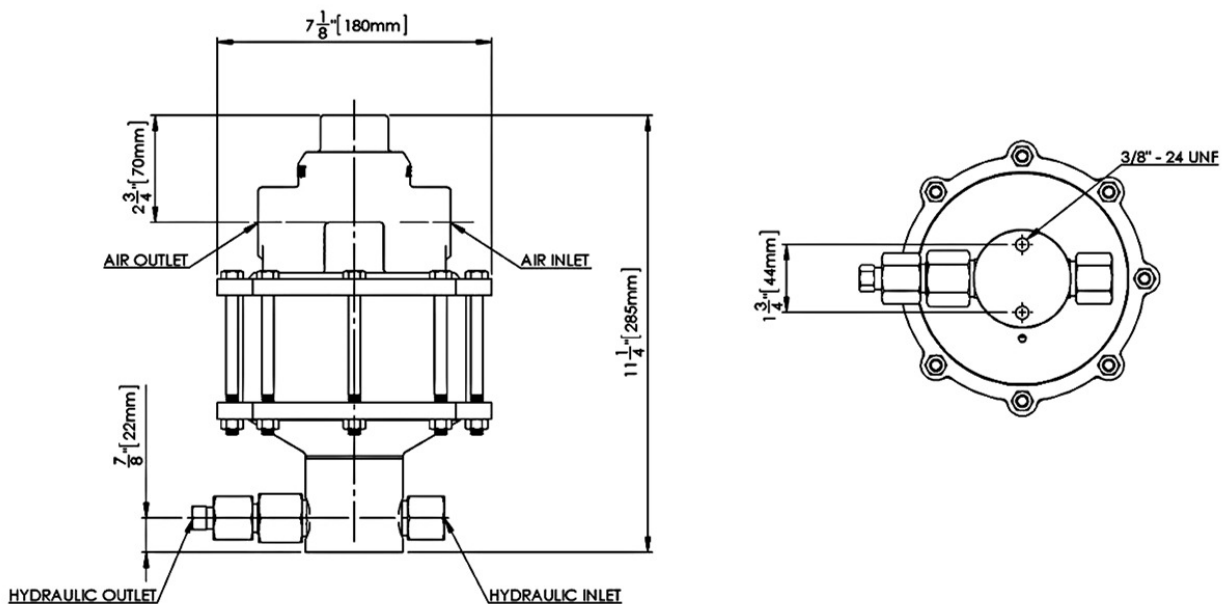
| | |
|---------------------|--------------|
| Hydraulic Inlet | 3/8" NPT(F) |
| Hydraulic Outlet | 3/8" MP(F) |
| Air Inlet | 1/2" NPT(F) |
| Silencer Air Outlet | 3/4" NPT(F) |
| Net Weight | 7kg (15.5lb) |

COMMON OPTIONS (BUT NOT LIMITED TO)

| | |
|-----|---------------------------------------|
| / A | ATEX (94/9/EC) II 2GD c T5 |
| / L | Low pressure start for air motor |
| / N | Greased for life lubricated air motor |

GENERAL LAYOUT DRAWING

Model: **PU-AZ-1-187H**



HYDRAULIC PRESSURE STATIC / STALL CONDITIONS

| AIR PRESSURE | HYDRAULIC PRESSURE |
|----------------|----------------------|
| 20psi (1.4bar) | 3,250psi (224bar) |
| 40psi (2.8bar) | 7,250psi (500bar) |
| 60psi (4bar) | 11,250psi (776bar) |
| 80psi (5.5bar) | 15,000psi (1,034bar) |
| 100psi (7bar) | 18,750psi (1,293bar) |

FLOW CURVE

AZ-1-187 - Ratio 187:1

