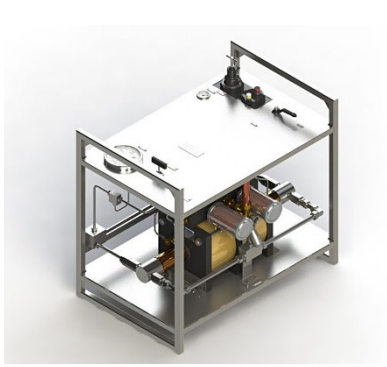


TECHNICAL DATA SHEET

PRODUCT	HPU-DHDA118/4.1-N*-L**/options	
SERIES	HPU-DHDA Double Airhead Double Acting Air operated, high flow, double headed-double acting hydraulic pumps for pressure testing, chemical injection and hydraulic power.	

FEATURES

- Infinitely variable output pressure and flow
- Holds static pressure without generating heat or consuming power
- Standard models are suitable for oil or water applications
- Well proven and trouble-free operation
- Designed for ease of maintenance
- Low cost servicing
- Robust construction

PERFORMANCE DATA

Max Rated Output Pressure	23,695psi (1,634bar)
Output Per Cycle	4.5 in ³ (74cc)
Max Flow	558 in ³ /min (9 litre/min)
Max Air Supply Pressure	100psi (7bar)
Ratio	236 : 1
Air Consumption	200 scfm (5,664 NI/min)

SEAL OPTIONS (N*)

N* (standard)	PTFE Main Seal & Nitrile (Buna-N) Check Valve Seals
V	PTFE Main Seal & Viton (FKM) Check Valve Seals
C	PTFE Main Seal & Chemraz (FFKM) Check Valve Seals (Max Rated Output Pressure 15,000psi (1035bar))

CONSTRUCTION

Frame	Stainless Steel
Air Motor	Anodised Aluminium / Nitrile (Buna-N) Seals
Hydraulic Cylinder	Aluminium Bronze
Piston	Stainless Steel + Corrosion Resistant Chrome Finish
Outlet Port	Stainless Steel
L1** (standard)	Brass / Copper Hydraulic Inlet, Air Inlet and Plated Steel Silencer
L2** (optional)	Stainless Steel Hydraulic Inlet, Air Inlet and Silencer

CONNECTIONS

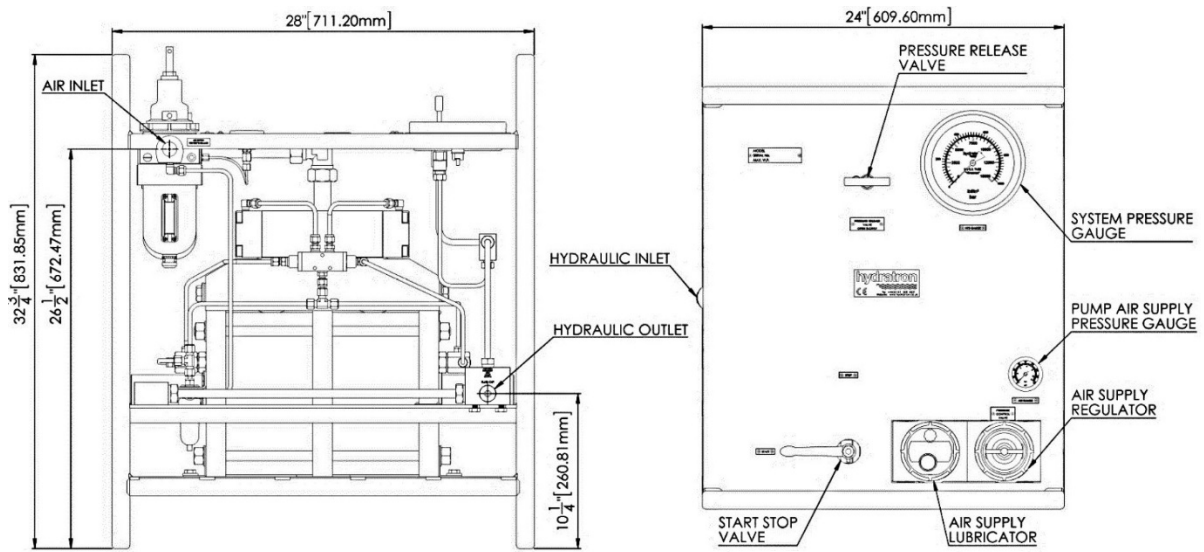
Hydraulic Inlet	1/2" NPT(F)
Hydraulic Outlet	9/16" HP(F)
Air Inlet	3/4" BSPP(F)
Net Weight	112kg (248lb)

COMMON OPTIONS (BUT NOT LIMITED TO)

/ A	ATEX (94/9/EC) II 2GD c T5
/ F	Panel mount digital stroke counter (non ATEX)
/ G	Panel mount pneumatic stroke counter
/ I (over all dimension varies)	Isolation valve
/ M	Mild steel painted frame (Painted Blue) + Stainless steel tank (if applicable to the unit)
/ O (over all dimension varies)	Single pen chart recorder complete with recorder isolation valve
/ R	Relief valve
/ W	Fitted with wheels
/ X	Gauge protection guard

GENERAL LAYOUT DRAWING

Model: **HPU-DHDA118/4.1**



HYDRAULIC PRESSURE STATIC / STALL CONDITIONS

AIR PRESSURE	HYDRAULIC PRESSURE
20psi (1.4bar)	4,740psi (327bar)
40psi (2.8bar)	9,477psi (654bar)
60psi (4bar)	14,215psi (980bar)
80psi (5.5bar)	18,955psi (1,307bar)
100psi (7bar)	23,695psi (1,634bar)

FLOW CURVE

DHDA118 – Ratio 236:1

